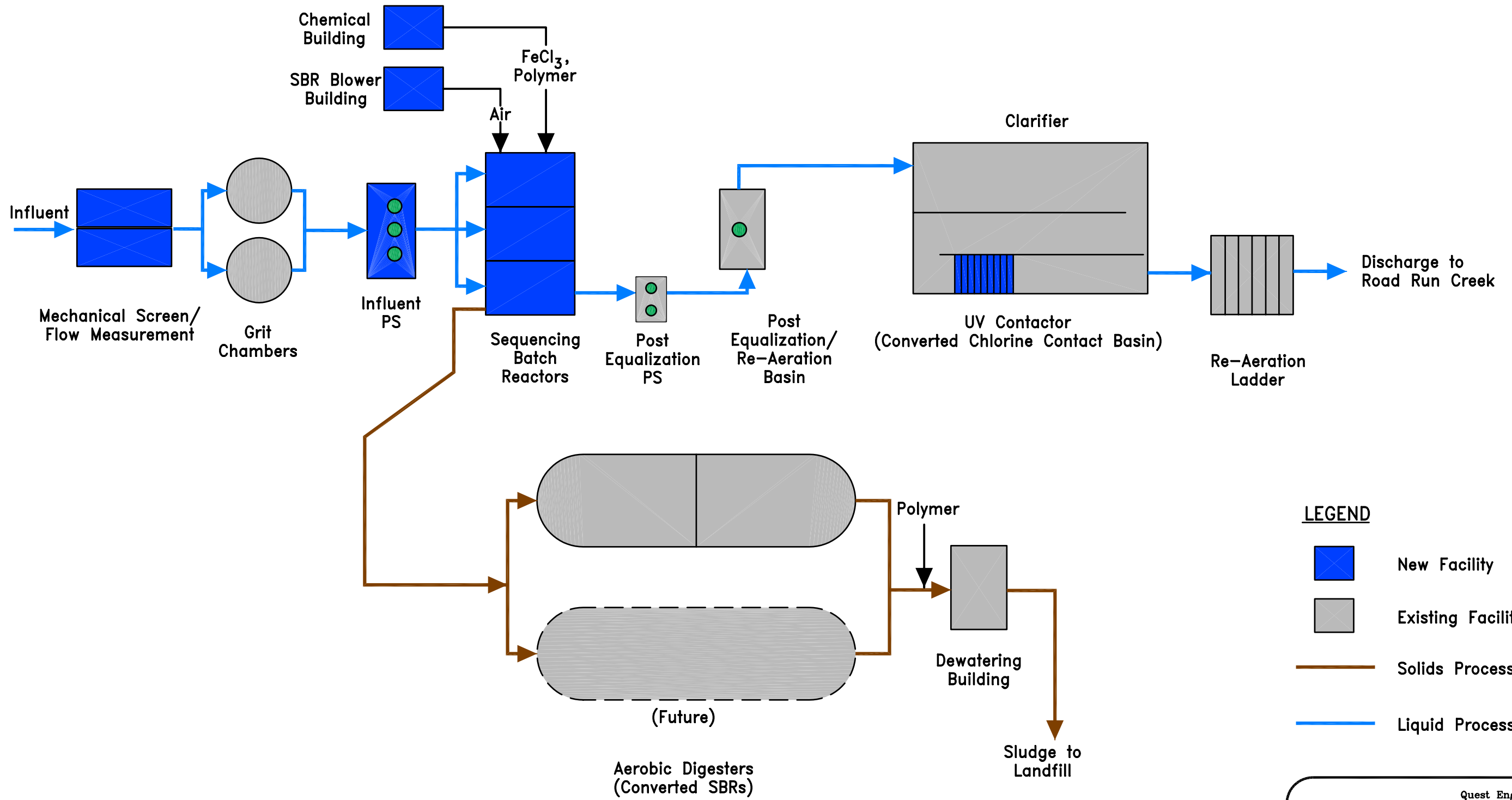


L:\00\00126\Fig\_5-8.dwg, Model, 02/03/2003 01:21:11 PM, Quest TAG



**LEGEND**

- New Facility
- Existing Facility
- Solids Process Line
- Liquid Process Line

Quest Engineers, Inc.  
Lexington, Kentucky  
Louisville, Kentucky  
Cincinnati, Ohio

FIGURE 5-8  
ALTERNATIVE 1 - EXPAND  
EXISTING SBR WWTP

FACILITIES PLAN UPDATE  
SPRINGFIELD WATER AND SEWER COMMISSION  
SPRINGFIELD, KENTUCKY  
JUNE 2001

REVISED SEPT. 2002